

M9 Touch Screen Period Programming Thermostat

Touch Screen Period Programming Thermostat

Touch Screen Period Programming Thermostat Weekly circulation, it is possible to set 6 periods called events each day with corresponding pre-set temperatures, also you can select "period control mode" or "manual mode" according to your individual requirements. The thermostat is recommended for the control of electric heating devices or on/off valve actuator used in water-based heating systems.

Selection Table:

Model	Current	Application
M9.713	3A	For control of electric actuator or electrothermal actuator
M9.723	3A	For control of electric actuator or electrothermal actuator
M9.716	16A	For control of electric actuator or electrothermal actuator, a potential-free output

Technical data:

Voltage:	AC230V	50-60Hz
Power consumption:	2VA	
Setting range:	5°C...90°C	
Limitation range:	5°C...60°C	(factory setting:35°C)
Accuracy of temperature measurement:	0.5-10°C	Adjustable, factory setting:±1°C
Ambient temperature:	-5-50°C	
Protective housing:	IP20	
Housing material:	anti-flammable PC	

User operation

- 1) Power key "⏻"
You can turn on/off the thermostat by pressing this key. Also you can confirm and exit by pressing "⏻" when you have completed the setting of every parameter.
- 2) The increase key "▲" and the decrease key "▼"
In the period control mode or comfort mode, when you press the increase/decrease key once, alternate display stops in the bottom right region and the value of the pre-set temperature will increase/decrease 1°C. It will recover the alternate display with no operation for 3 seconds.
- 3) Time setting key "🕒"
You can adjust the time and week by pressing the key once. If it is pressed, the hour bit flashes. Then you can press "▲" and "▼" to change its value. When you complete the setting of hour bit, you can press this key to confirm and continue the setting of minute bit and week bit sequentially. After the completion of time, you can press "⏻" to confirm and exit.
- 4) Mode selection key "M"
You can select period control mode or comfort mode by pressing the key. If you press this key and hold for 3 seconds, you can enter the mode of period programming.
- 5) Locking "🔒" and unlocking
When you press "▲" and "▼" at the same time and hold for 3 seconds, the thermostat will be locked/unlocked. When it is locked, no operation can be carried out until it is unlocked.

Display symbols:

- 🔒 Manual mode
- 🕒 Clock-controlled program mode
- ☀️ Wake-up, event 1
- 🏠 Leave (am), event 2
- 🏠 Return (am), event 3
- 🏠 Leave (pm), event 4
- 🏠 Return (pm), event 5
- 🌙 Sleep, event 6
- 🔥 Heating on

Programming: 6-event time and temperature

Press the "📖" key for 5 seconds to begin programming

Key	Event	Symbol	Time	▲ ▼	Default value	▲ ▼
📖	Day 1-5	☀️	06:00	Set the start/end	20°C	Set programmed
		🏠	08:00		15°C	
		🏠	11:30		15°C	
		🏠	12:30		15°C	

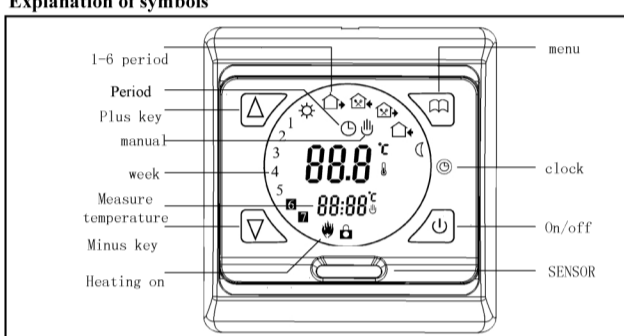
👉	Day 6-7	5	🏠	17:00	22°C
		6	🌙	22:00	15°C
		1	☀️	08:00	22°C
		2	🌙	23:00	15°C

Advanced setting (qualified person preferred)

You can press "M" and "🔒" and hold for 5 seconds at the same time to enter the mode of advanced setting. When the thermostat is turned off. The following seven function can be chosen by pressing "M".

Symbol	Setting	▲or ▼
1	ADJ Temperature calibration	Adjust measured temperature
2	SEN Sensor mode	IN: built-in sensor OUT: floor sensor ALL: both sensors (floor sensor is the limit sensor)
3	LIT Limitation temperature	Adjust limitation value, Limitation range:5°C-90°C
4	DIF Switching differential	Adjust switching differential
5	LTP Antifreeze function	Turn on/off Anti-frozen function
6	PRG Set vacation mode	2: 5/2 day mode 1: 6/1 day mode 0: 7 day mode
7	RLE Potential-free output	00: in same way 01: in different way
8	DLY Potential-free output delay	Change the delay time
9	HIT Max. Temperature	Max. Limitation temperature setpoint (99°C)
	AFAC Reset to factory settings	Programming parameters will be reset to factory settings when symbol "- -" appears

Explanation of symbols



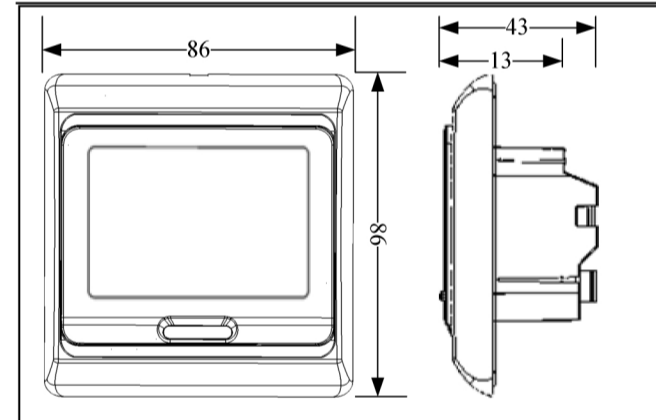
Dimension: (mm)

HVAC CONTROLS PRODUCTS

Electrical Heating Thermostat

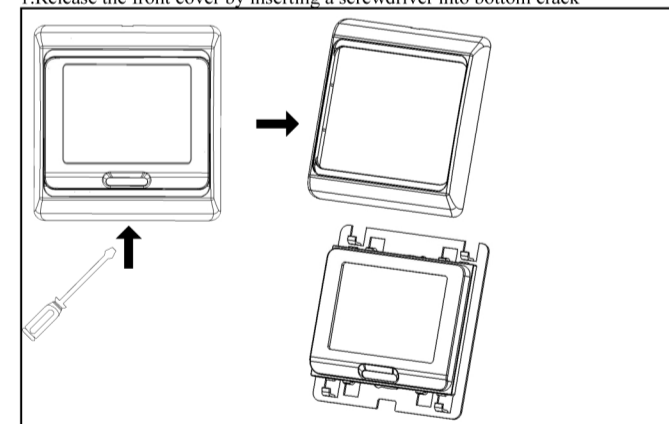
M9 Touch Screen Period Programming Thermostat

Installation Manual

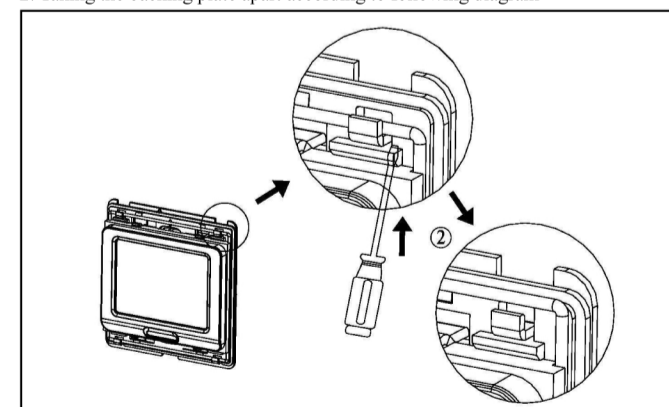


Mounting steps:

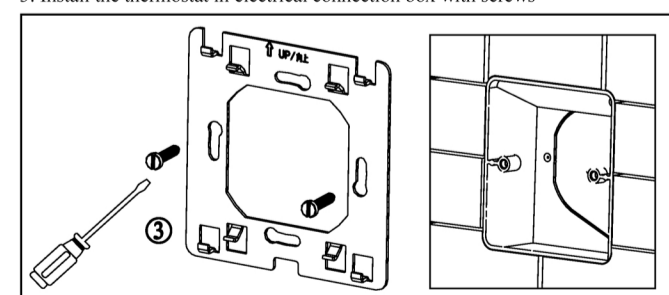
1. Release the front cover by inserting a screwdriver into bottom crack



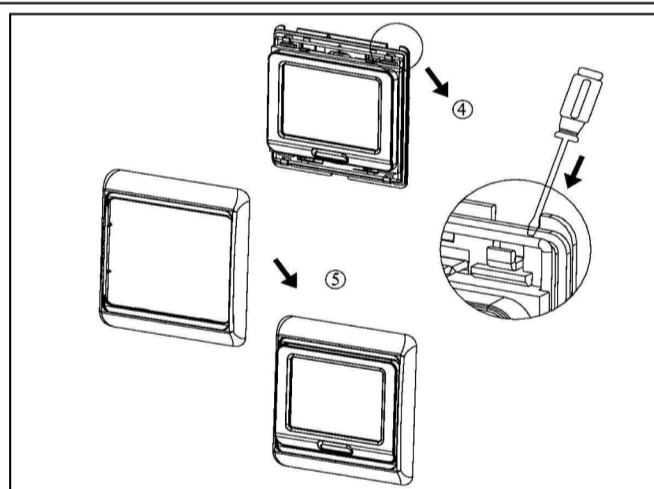
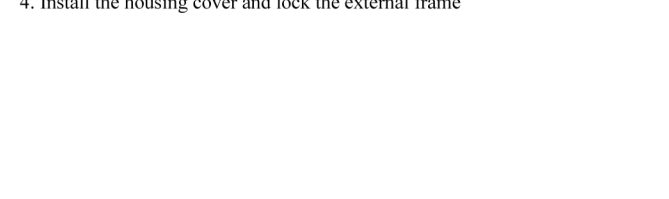
2. Taking the backing plate apart according to following diagram



3. Install the thermostat in electrical connection box with screws



4. Install the housing cover and lock the external frame



Connecting Diagram

